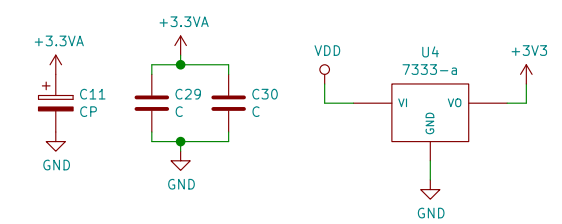
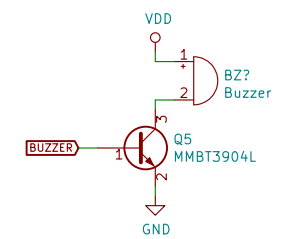
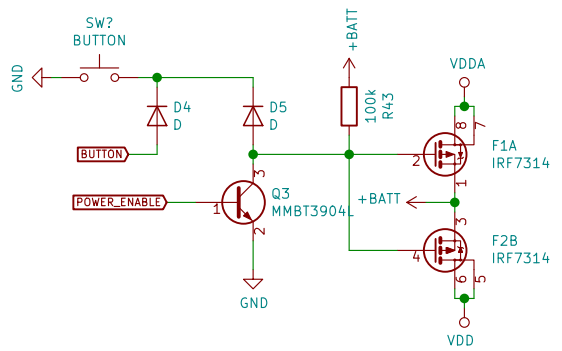


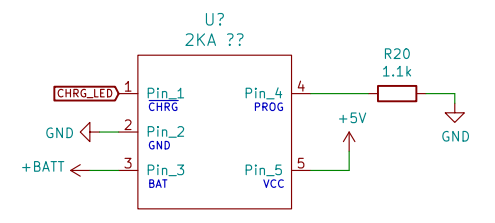
not existing on PCB, must be wired by soldering cables on pins

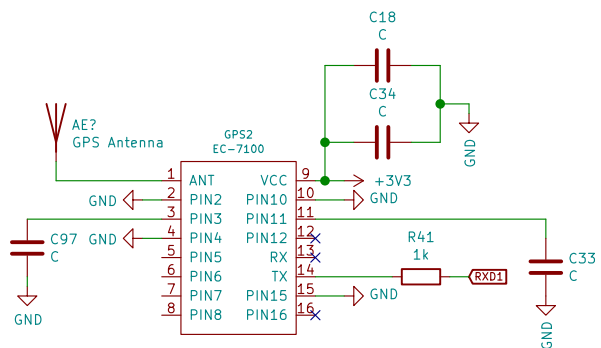
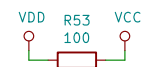
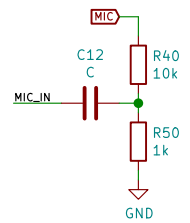
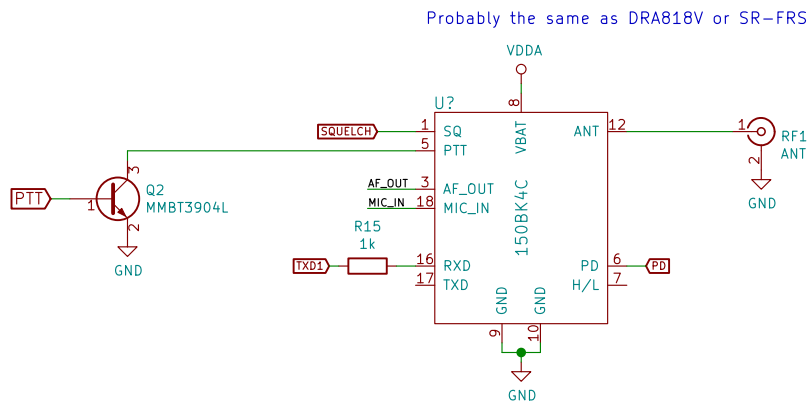
From Datasheet: Programmable input/output line, control output for PA(if fitted)

| | |
|--|------------------|
| for PCB with label: BI7NOR BG6QBV AVRRT5 V5B 2014-9-3 | |
| made by JBtronics | |
| Sheet: / | |
| File: AP510-Reverse.sch | |
| Title: AP510 Reverse Engineered Schematic | |
| Size: A4 | Date: 2017-05-03 |
| KiCad E.D.A. kicad (2017-04-27 revision 862711b71)-makepkg | Rev: 1.0 |
| | Id: 1/3 |

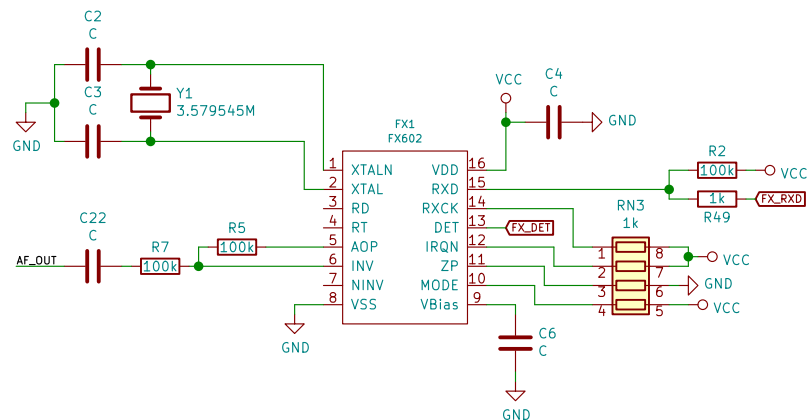


This is probably a HM4054C Battery Management IC





RX Pin guessed from this picture
<http://www.y027.com/dvbbs8/filesHOW.asp?boardid=5&id=401>



Sheet: /RF/
 File: RF.sch

Title: AP510 Reverse Engineered Schematic (Power)

Size: A4 Date: 2017-05-07 Rev: 1.0
 KiCad E.D.A. kicad (2017-04-27 revision 862711b71)-makepkg Id: 3/3